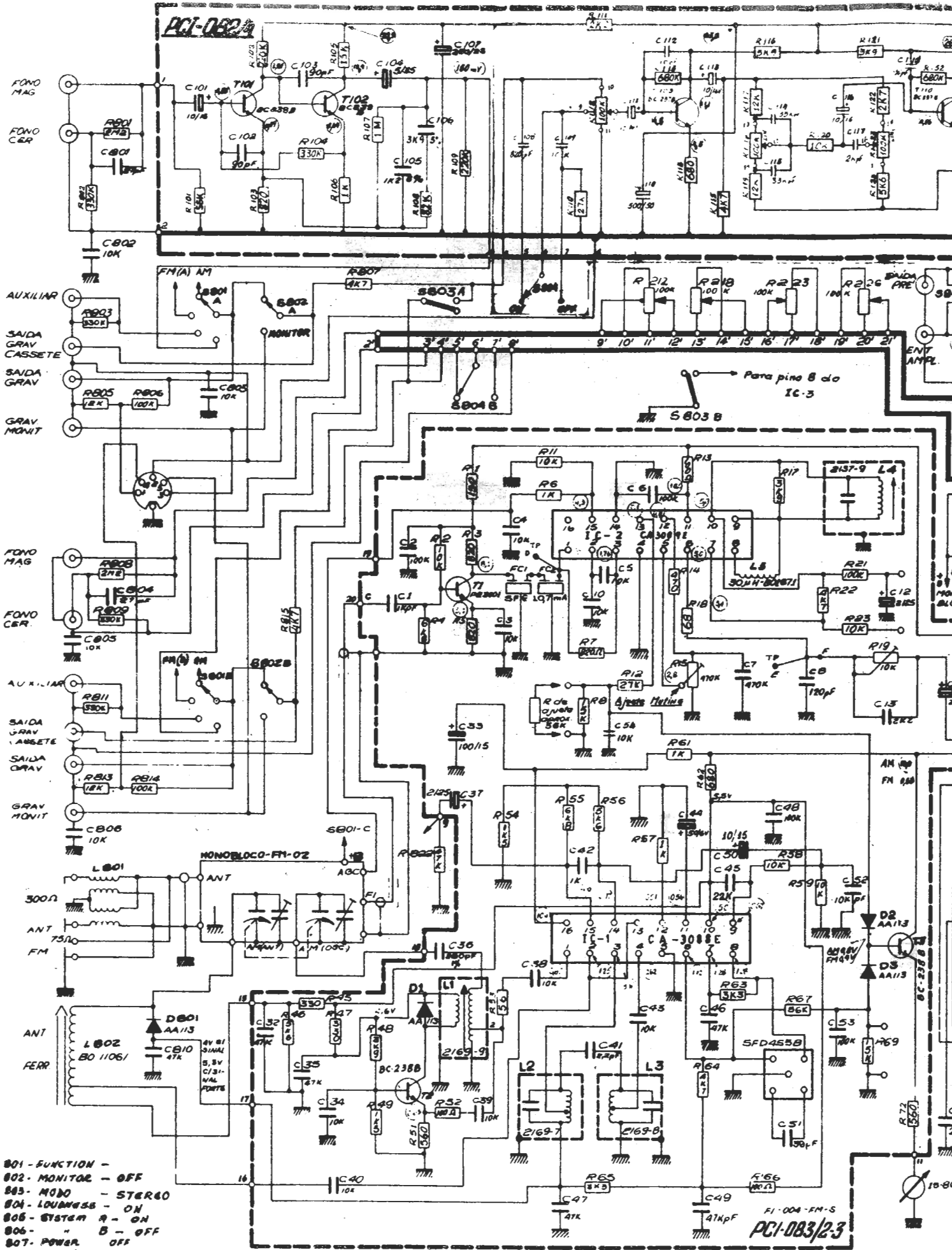
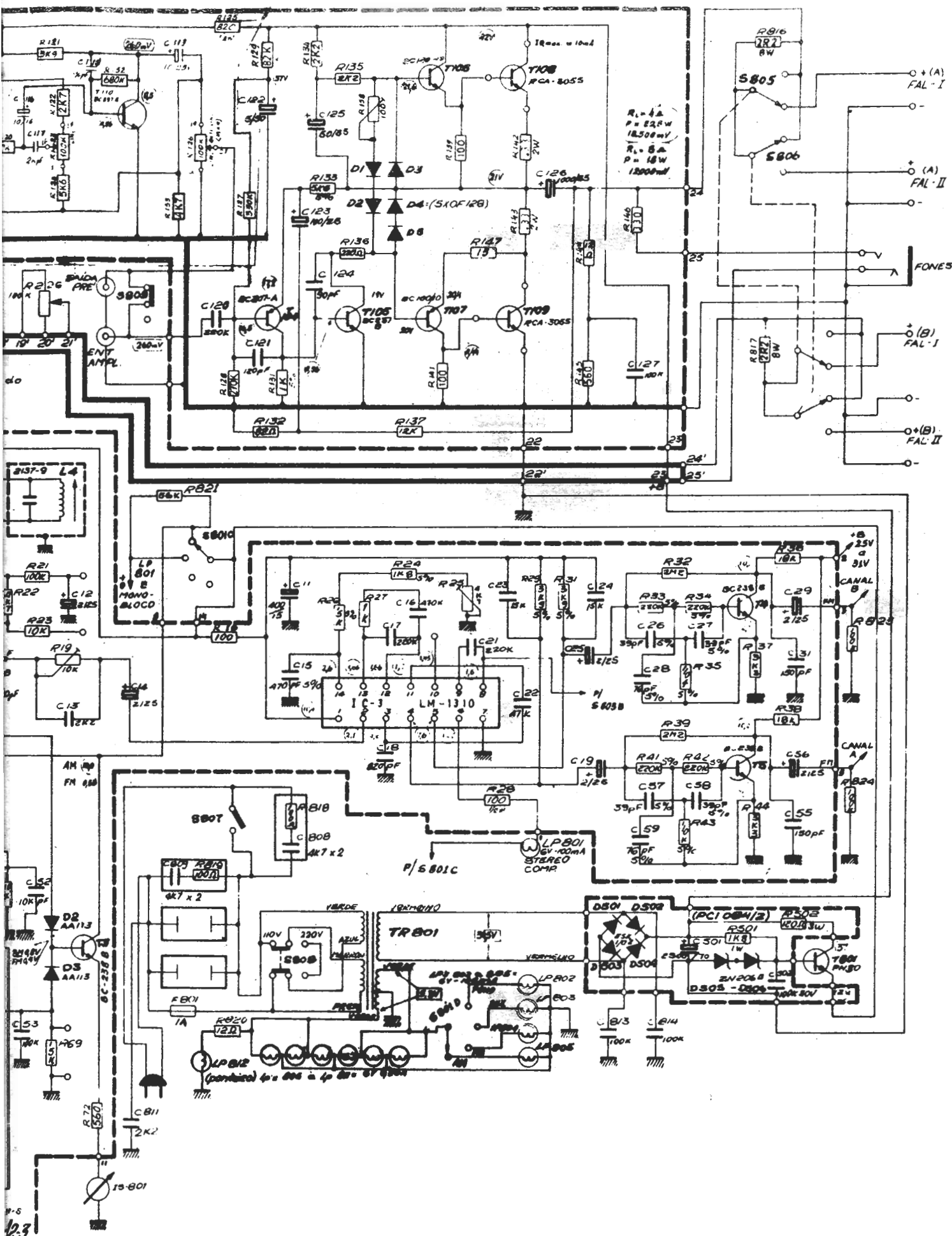


PCI-082



- S 801 - FUNCTION -**
- 802 - MONITOR - OFF
 - 803 - MONO - STEREO
 - 804 - LOUDNESS - ON
 - 805 - SYSTEM A - ON
 - 806 - " B - OFF
 - 807 - POWER OFF
 - 808 - 110V → 800V -
 - 809 - POWER AMP. DIRECT - INTERNAL - DIRECT

FI-004-FM-S
PCI-083/2.3



gigi.gomes@uol.com.br